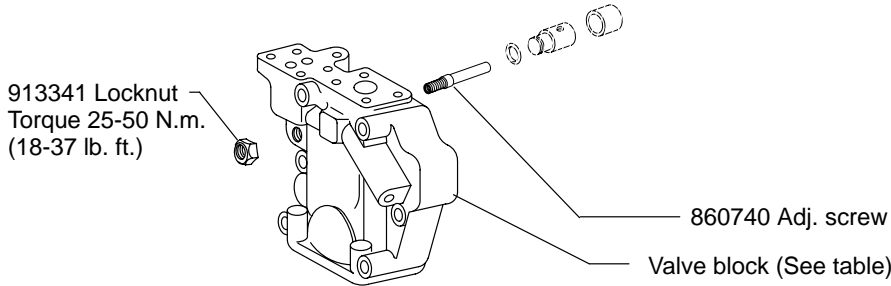




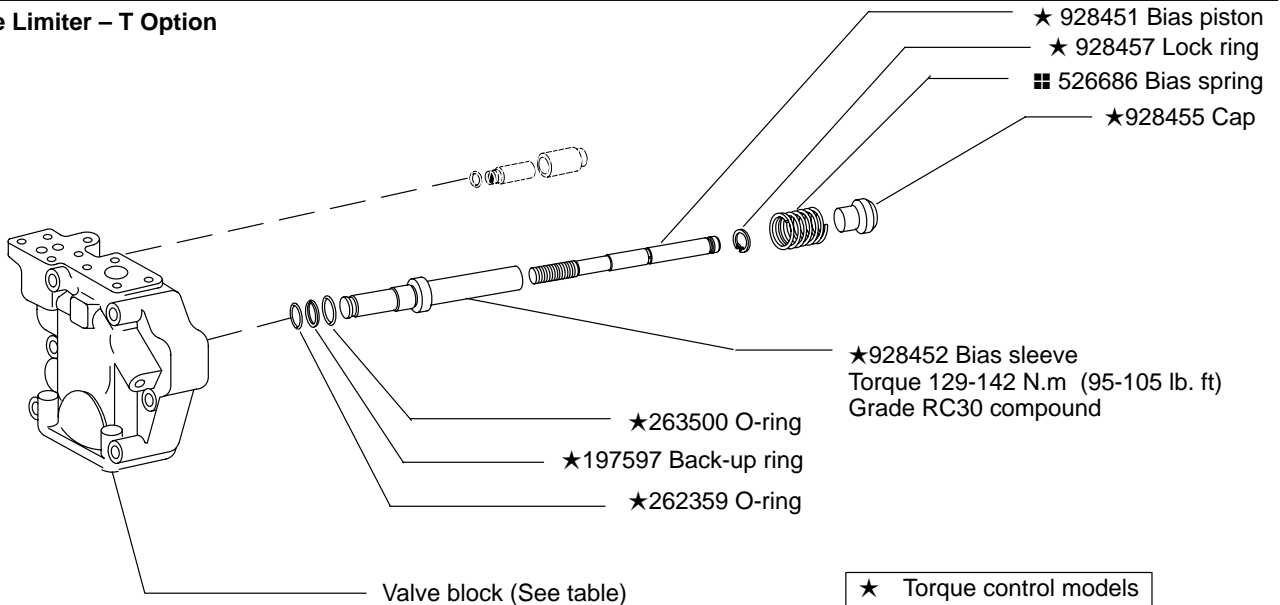
PVH98/106 Variable Displacement Piston Pump - 11 Design

Maximum Adjustable Stop – S Option

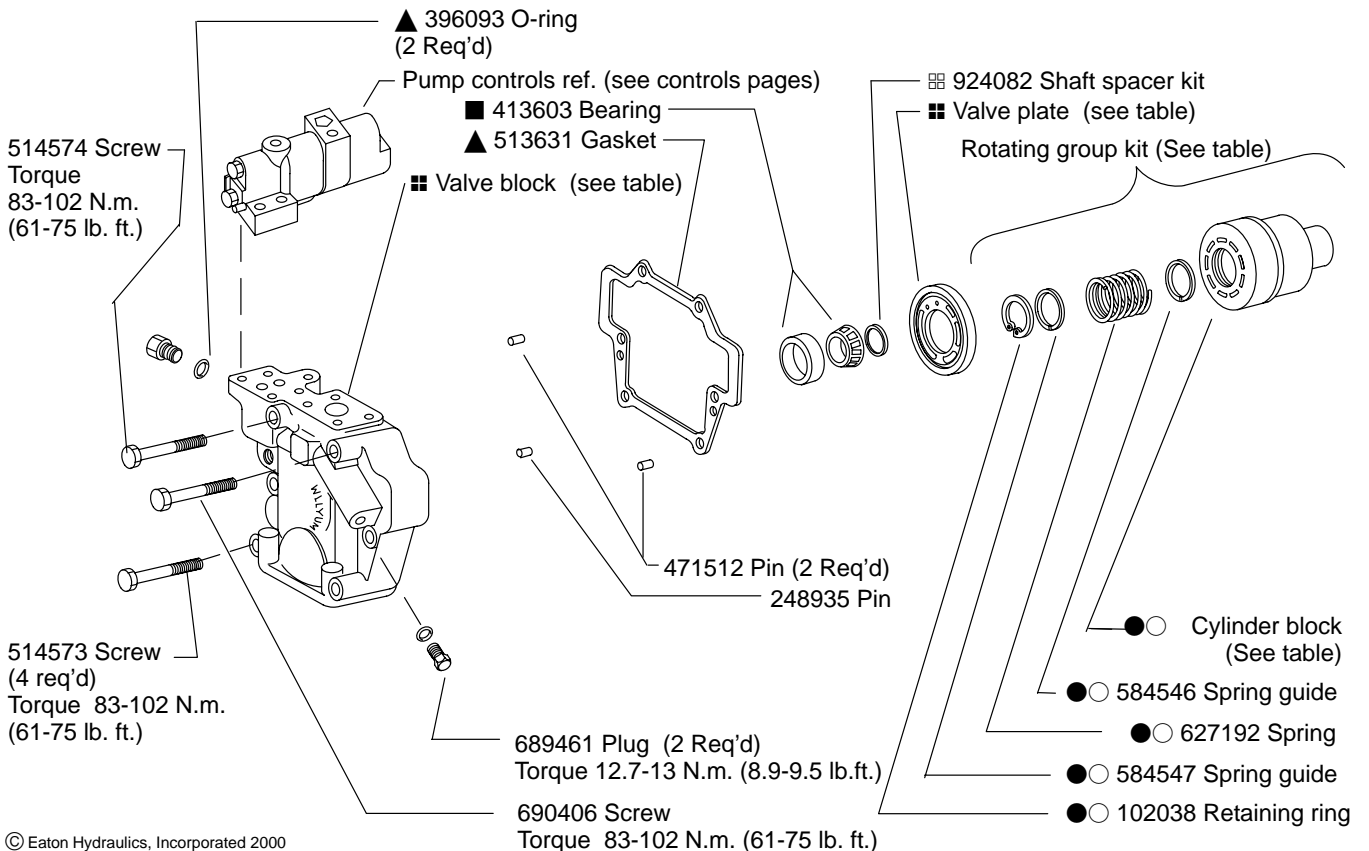


Valve Block Table		
Pump Type	RH	LH
F-11-C	928635	928684
M-11-C	928636	928685
SF-11-C	928622	928671
SM-11-C	928623	928672
F-11-CT	860850	860859
M-11-CT	860851	860860

Torque Limiter – T Option



Standard – C/CM/CMV/CV/IC



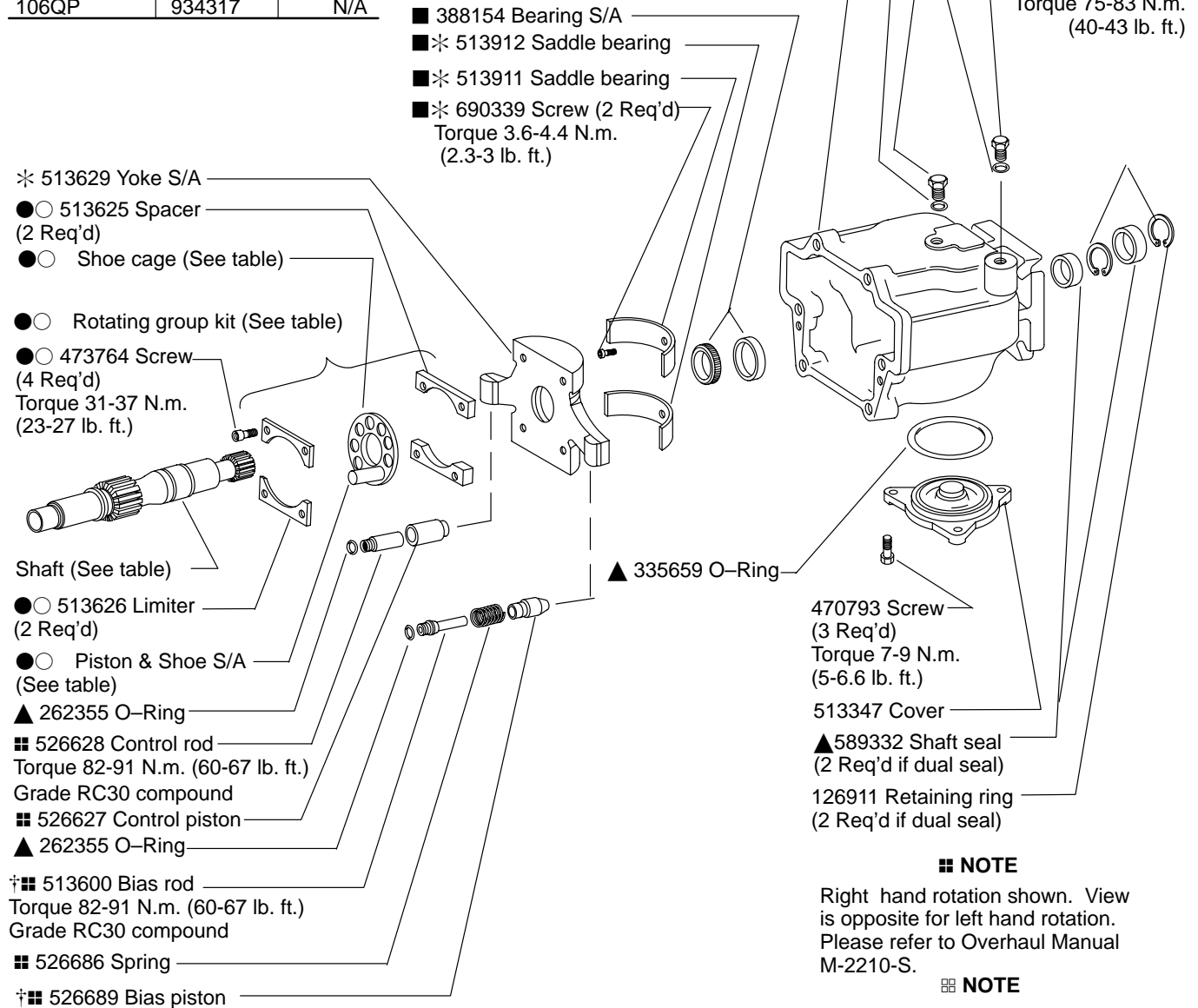
Housing	Flange/Seal
513645	-C-*S
864341	-C-*D
913253	-C2-*S
860681	-C2-*D
864311	-C3-*S

Note
Complete replacement via rotating group kits is recommended.

Model Designation	Piston & Shoe S/A (9 req'd)	Cylinder Block	Shoe Cage	Rotating Group Kit
●98 Size	02-152400	680627	584539	●877422
○106 Size	02-306365	688218	688217	○02-159812

Valve Plate Table		
Pump Type	RH	LH
98	627371	584540
98QI	514122	514120
98QP	913742	N/A
106	688219	688220
106QI	934319	934318
106QP	934317	N/A

Shaft	Type	Key
527167	1 – Straight keyed	114516
513627	2 – Splined	–
864453	3 – Splined (thru)	–
860679	2 – Splined (thru-036)	–
864454	13 – Str. keyed (thru)	140282



NOTE

Right hand rotation shown. View is opposite for left hand rotation. Please refer to Overhaul Manual M-2210-S.

NOTE

Use shims as required to obtain 0.01–0.10 mm (.0004–.004 in.) axial shaft end play.

NOTE

For satisfactory service life of these components in industrial applications, use full flow filtration to provide fluid which meets cleanliness code 16/14/12 or cleaner.

† Non-torque control models

▲ Available in double shaft seal kit 02-102264

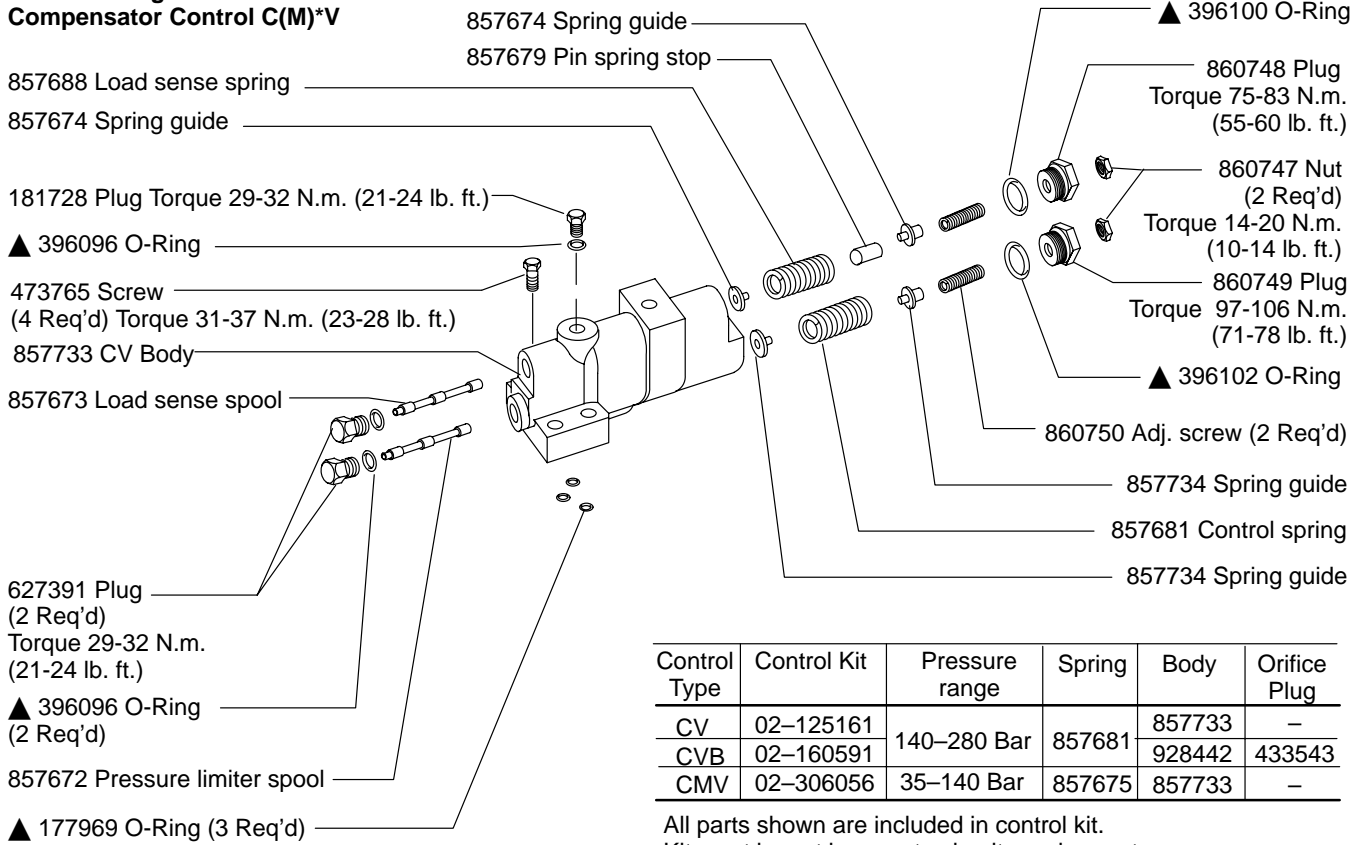
■ Available in bearing kit 877425

* Available in bearing/yoke kit 02-334837

● Available in PVH98 rotating group kit.

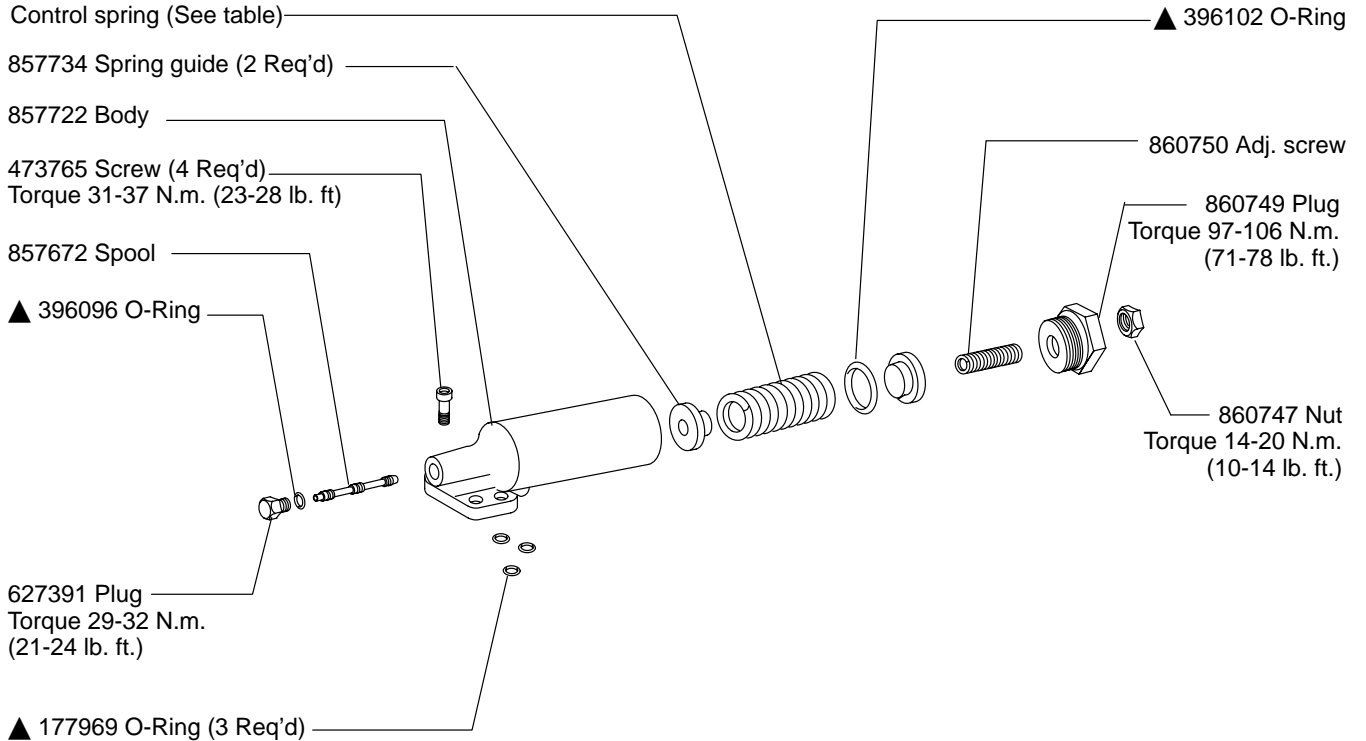
○ Available in PVH106 rotating group kit.

Load Sensing & Pressure Compensator Control C(M)*V



All parts shown are included in control kit.
Kit must be set by user to circuit requirements.

Pressure Compensator Control C & CM



Control Type	Control Kit	Pressure range	Spring
C	02-125160	70-250 Bar	857681
CM	02-125162	40-130 Bar	857675

All parts shown are included in control kit.
Pressures must be set by user to circuit requirements.

Industrial Control (IC)

- 473769 Screw (2 Req'd)
Torque 31-37 N.m. (23-28 lb. ft.)
- 407533 Plug
Torque 12.1-12.4 N.m. (8.9-9.1 lb. ft.)
- ▲ 396093 O-Ring
- ▲ 396092 O-Ring (3 Req'd)
- 627391 Plug (3 Req'd)
Torque 9.8-10.2 N.m. (7.2-7.5 lb. ft.)
- Body (see table)
- 857688 Spring
- 857679 Pin spring stop
- 857674 Spring guide (2 Req'd)
- ▲ 396100 O-Ring
- 860747 Nut
Torque 14-20 N.m.
(10-14 lb. ft.)
- 860750 Adj. screw
- 860748 Plug
Torque 75-83 N.m. (55-60 lb. ft.)

Control Kit	Threads	Body
02-151904	inch	883386
02-151905	metric	860628

All parts shown are included in control kit. Pressures must be set by user to circuit requirements.

- (2 Req'd) Torque 31-37 N.m. (23-28 lb. ft.)
- 473765 Screw
- ◇ 113000 Plug
Torque 5.1-5.9 N.m. (3.7-4.4 lb. ft.)
- 860566 Orifice plug
Torque 1.7-2.3 N.m.
(1.2-1.7 lb. ft.)
- ▲ 396096 O-Ring
- ◇ 181728 Plug
Torque 29-32 N.m.
(21-24 lb. ft.)
- 627391 Plug
Torque 29-32 N.m.
(21-24 lb. ft.)
- ▲ 396096 O-Ring
- 939816 Spool
- ▲ 177969 O-Ring
(2 req'd)
- ▲ 216630 O-Ring

◇ NOTE

IC kits pre-set to 20-30 bar differential pressure with all orifices/plugs in place. Reference Vickers Overhaul Manual M-2210-S for proper orifice/plug configuration in various circuits prior to control installation.

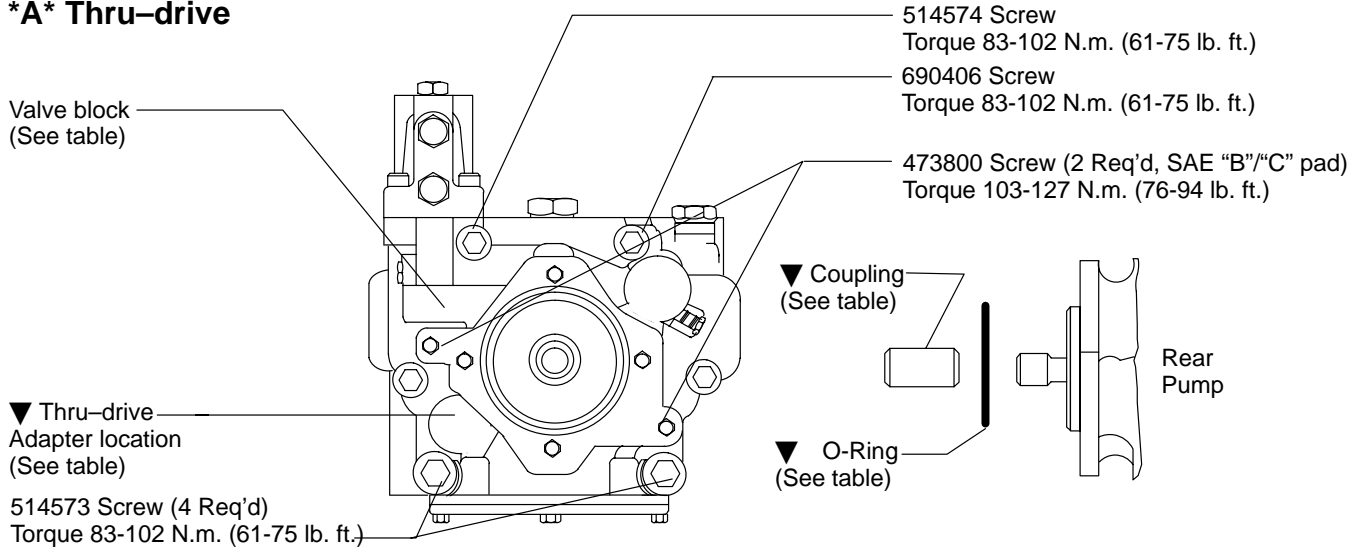
Torque Limiter – T Option

- 928388 Guide
- 857675 Spring
- 857734 Guide
- 263069 O-ring
- 913453 Guide
- 473773 Screw (4 req'd)
Torque to 31-37 N.m
(42-50 lb. ft.)
- 197594 Back-up ring
- 262356 O-ring
- 860655 Plug Torque 75-83
N.m (102-112 lb. ft.)
- ◆ 248823 Pin
- 186580 Plug
Torque 54-59 N.m
(73-80 lb. ft.)
- 263497 O-ring
- 113000 Plug
Torque 15-17 N.m
(20-23 lb. ft.)
- ◆ 932716 Connector
Torque 54-59 N.m
(73-80 lb. ft.)
- ◆ 263497 O-ring
- 860749 Plug
Torque 75-83 N.m
(102-112 lb. ft.)
- 860750 Adjusting Screw
- 860747 Nut
Torque 8-10 N.m
(11-14 lb. ft.)
- 1649 Ball
- 471627 Pin
- 937272 Check valve
Torque 1.7-2.3 N.m
(2.3-3.1 lb. ft.)
- 217669 O-ring
- 177969 O-ring
(2 req'd)
- 913454 Spool
- 860653 Body
- 177969 O-ring (5 req'd)
- 577639 Sleeve
- 262356 O-ring
- 248845 Pin
- ◆ 932716 Retainer Ring
(Screw into bottom of thread)

Model designation	Control Kit
C**T**-31	02-314944
C**T**S-31	02-335254

◆ Torque summation parts

***A* Thru-drive**



"A" Thru-drive

Model designation	Valve block w/ SAE "A" Pad	O-Ring	Coupling Type
LAF-11-C*	928710	576601	877039
LAM-11-C*	928711		
RAF-11-C*	928734		
RAM-11-C*	928735		
LAF-11-CT	860841		
LAM-11-CT	860842		
RAF-11-CT	860832		
RAM-11-CT	860833		

SAE-A, 2-Bolt Cover Plate 939790
(Fits -031 Suffix Pumps)

*AF Units use Screw 170177 (2 req'd)
**AM Units use Screw 470837 (2 req'd)

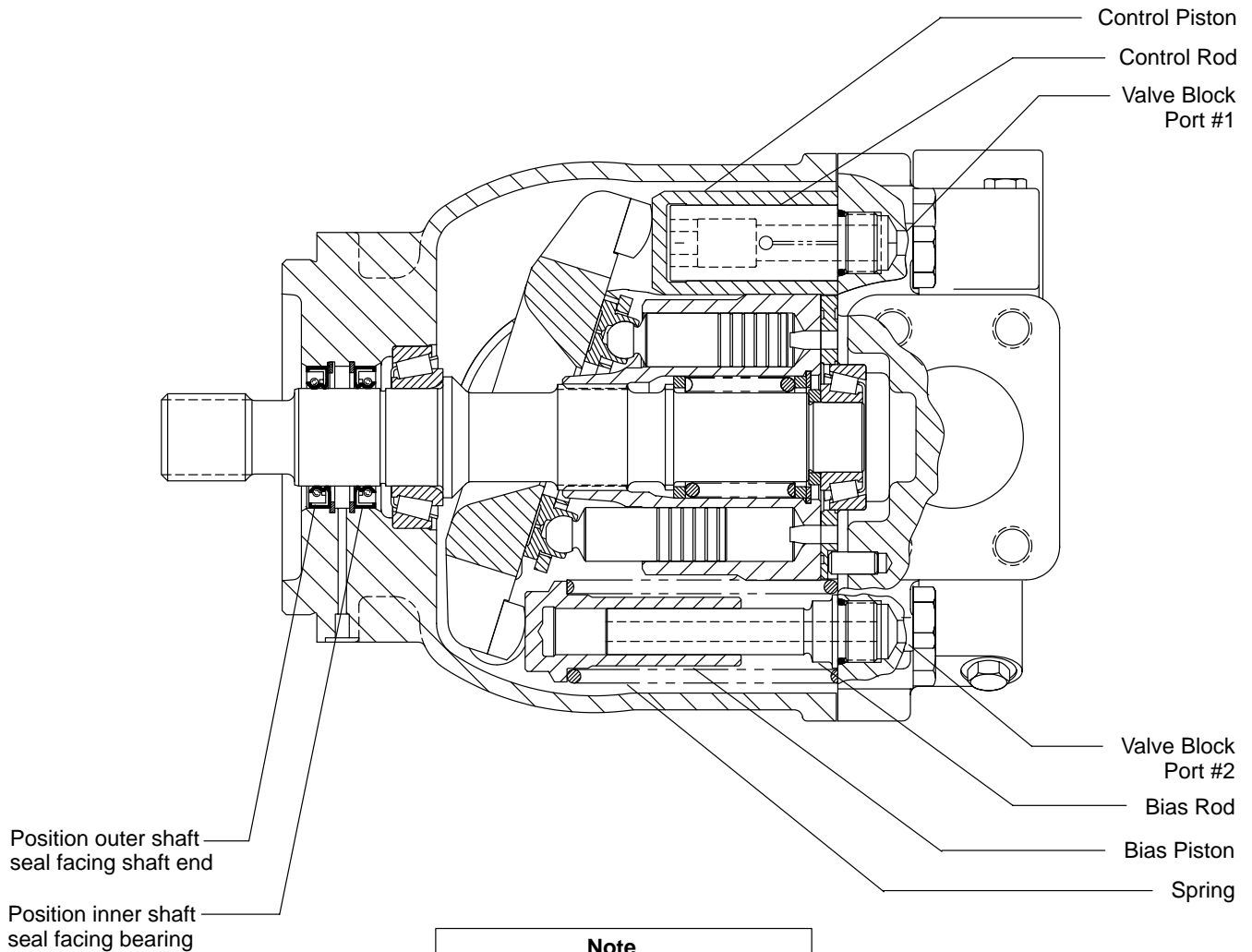
▼"B" & "C" Thru-drive Adapter

Model Designation	Adapter Pad Kit	Adapter Flange	O-Ring	CouplingTypes
-BF-11-	876390	526670	401525	877040 SAE B - 13 tooth
-BM-11-	876394	876393		877044 SAE BB - 15 tooth
-CF-11-	876389	692934	353264	877045 SAE C - 14 tooth
-CM-11-	876392	876391		877046 SAE CC - 17 tooth

Notes:

1. "F" type equal SAE threads
2. "M" type equal metric threads
3. "B" and "C" thru-drives created from "A" thru-drive pump with "B" or "C" thru-drive adapter kit installed.
4. All screws/O-rings are included with each "kit" to convert from "A" to "B" or "C" thru-drive unit.

Typical Cross Section



Pump Startup

Make sure the reservoir and circuit are clean and free of dirt and debris prior to filling with hydraulic fluid.

Fill the reservoir with filtered oil to a level sufficient to prevent vortexing at suction connection to pump inlet. It is good practice to clean the system by flushing and filtering using an external slave pump.

Before starting the pump, fill with fluid through one of the ports. This is particularly important if the pump is above the fluid level of the reservoir.

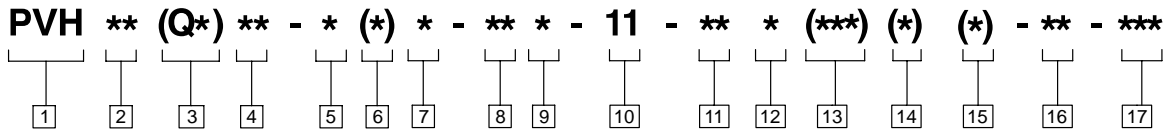
When initially starting the pump, remove all trapped air from the system. This can be accomplished by loosening the pump outlet fittings or connections before starting the pump, or by using an air bleed valve. All inlet connections must be tight to prevent air leaks.

Once the pump is started, it should prime within a few seconds. If the pump does not prime, check to make sure that there are no air leaks in the inlet line and connections. Also check to make sure that trapped air can escape at the pump outlet.

After the pump is primed, tighten the loose outlet connections, then operate for five to ten minutes (unloaded) to remove all trapped air from the circuit. If reservoir has a sight gage, make sure the fluid is clear—not milky.

Add fluid to the reservoir up to the proper fill level.

Model Code



1 Piston pump, variable displacement

2 Maximum geometric displacement

98 - 98.3 cm³/r (6.0 in³/r)
106 - 106.5 cm³/r (6.50 in³/r)

3 Application style

Blank - Mobile application (rated speed & 250/280 bar (3600-4000 psi) pressures)

QI - Quiet industrial application (1500 - 1800 rpm & 250/280 bar (3600-4000 psi) pressures)

QP - Quiet power unit application (1800 rpm & 140 bar (2000 psi) max. pressures – R.H. rotation only)

4 Mounting flange, prime mover end

C - SAE “C” 4-bolt type (SAE J744-127-4)

C2 - Optional combination 2- & 4-bolt SAE-C pilot

C3 - Optional 4-bolt SAE-C pilot for vertical pump mounting

5 Shaft rotation, viewed at prime mover end

R - Right hand, clockwise

L - Left hand, counterclockwise

6 Configuration

Blank - Non-thru-drive (single pump)

A - SAE-A thru-drive pump, standard (SAE J744-82-2)

B - SAE-B thru-drive pump, optional (SAE J744-101-2/4)

C - SAE-C thru-drive pump, optional (SAE J744-127-2/4)

S - Adjustable maximum volume stop (“S” option not available on thru-drive and torque control pump models.)

7 Main ports

F - SAE 4-bolt flange ports (standard)

M - SAE 4-bolt pads with metric mounting bolt threads

8 Shaft-end type, at prime mover end

1 - SAE C straight key

2 - SAE C 14 tooth spline

3 - SAE CC 17 tooth spline

13 - SAE CC straight key

9 Shaft seal, prime mover end

S - Single, one-way

D - Double, two-way

10 Pump design number

11 - (Subject to change. Installation dimensions unaltered for design numbers 10 to 19 inclusive.)

11 Pressure control type

C - Compensator, 140-280 bar (2000-4000 psi)

CM - Compensator, 35-140 bar (500-2000 psi)

IC - CETOP 3 interface compensator, 20 bar factory “differential” pressure setting (QI and QP models only)

12 Factory compensator pressure setting

Blank - Leave blank for “IC” controls only

7 - 70 bar (1015 psi) normal “CM7” setting (all pump sizes)

23 - 230 bar (3335 psi) normal “C23” setting (63, 81, 106, 141 models)

25 - 250 bar (3625 psi) normal “C25” setting (57, 74, 98, 131 models)

13 Optional pressure control functions

Blank - Leave blank for basic compensator controls of IC models.

V - Load sensing, 20 bar (290 psi) factory “differential” pressure setting

T - Torque limiting control (Used with sections **14** and **15** .

VT - Load sensing with torque limiting

VB - Load sensing with internal bleed down (0.15” dia. orifice)

VBT- Load sensing with internal bleed down and torque limiting

14 Torque limiting control pressure setting

Blank - Leave blank if no torque limiting control is used

4 - Standard minimum 40 bar setting of “T” torque control option

15 Torque limiting control summation

Blank - Standard torque control

S - Optional torque control with summation feature

16 Control design number

31 - All control options

17 Special feature suffix

031- Mounting with SAE-A, 2-bolt cover plate

036- #2 “C” spline shaft in thru-drive pumps***



*****CAUTION**

Maximum shaft input torque must not exceed 5660 lb-in.

Eaton Hydraulics

15151 Highway 5
Eden Prairie, MN 55344
Telephone: 612 937-7254
Fax: 612 937-7130
www.eatonhydraulics.com

46 New Lane, Havant
Hampshire PO9 2NB
England
Telephone: (44) 170-548-6451
Fax: (44) 170-548-7110

