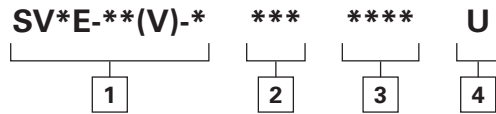


Explosion Proof Valves

(SV*E Series) Model Code

Model Code



1 Base Valve

SV1E-10-C	SV1-10-C
SV2E-10-C	SV2-10-C
SV3E-10-C	SV3-10-C
SV4E-10-C	SV4-10-C
SV1E-16-C	SV1-16-C
SV2E-20-C	SV2-20-C
SV4E-10-0	SV4-10-0
SV3E-10-0	SV3-10-0
SV5E-10-0	SV5-10-0
SV3E-16-0	SV3-16-0
SV3E-20-0	SV3-20-0
SV1E-10-3	SV1-10-3
SV1E-10-4	SV1-10-4
SV2E-10-4	SV2-10-4
SV3E-10-4	SV3-10-4
SV4E-10-4	SV4-10-4

For performance specifications refer to base valve data sheet. Viton® seal options are available.

2 Port Size Housing Number

Refer to table in Model Code for Base valves
4.8 liters/min

3 Voltage*

Code	Voltage	Replacement Coil Part Number
12D	12 VDC	888831
24D	24 DVC	888832
36D	36 VDC	888834
48D	48 VDC	888835
110D	110 VDC	888836
24A	24 VAC	888837
115A	115 VAC	888838
230A	230 VAC	888840
460A	460 VAC	888841

*Arc suppression diode is not available

4 Type (C.S.A. Approved)

U - 1/2" NPT Connector
Class I, Group C & D
Class II, Group E, F & G

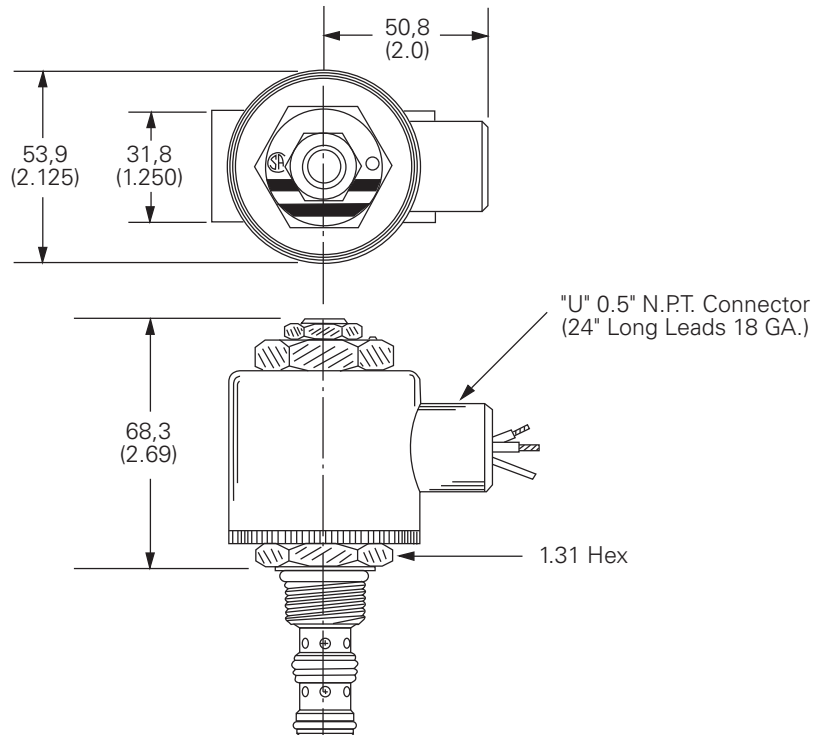
C

Dimensions

mm (inch)

Note: Cartridge only or coil housing are not available as service parts. **It is not possible to convert standard valves to explosion proof variants.** SV1E-10-3 shown. Dimensions of coil housing are the same for all Vickers explosion proof SiCV valves, for other dimensions please refer to base valve datasheet.

Description Type



Where measurements are critical request certified drawings. We reserve the right to change specifications without notice.