

Vickers®

Flow Controls



Flow Controls

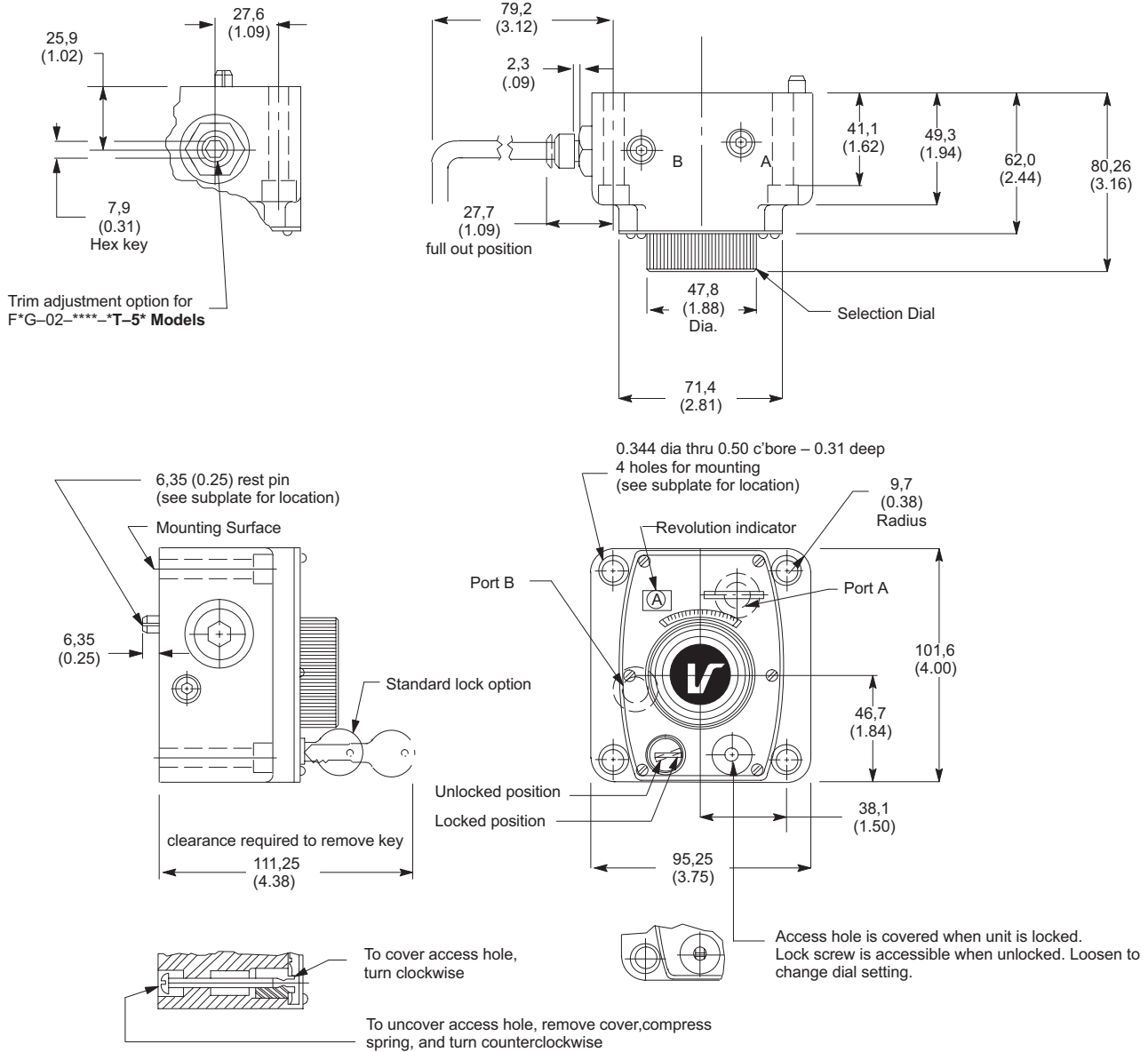
FN, F(C)G, FRG



Installation Dimensions

FG/FCG-02 Model Series

millimeter (inch)

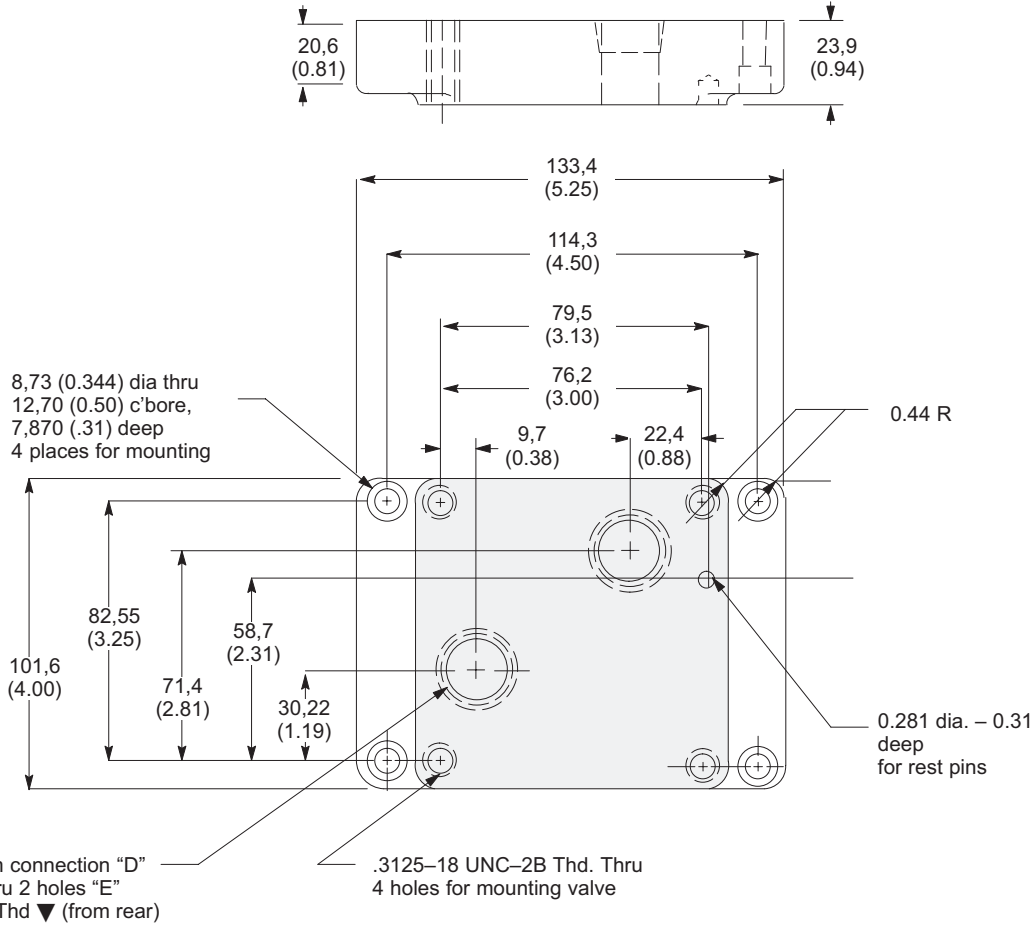


Model No.	Port A	Port B
FCG-02-****-5*	Inlet connection for regulated flow or outlet connection for reversed free flow.	Outlet connection for regulated flow or inlet connection for reversed free flow.
FG-02-****-5*	Inlet connection	Outlet connection

Subplate

FGM-02(X)-20

millimeter (inch)



Subplate Model Code	D mm (inch)	"E" NPTF Thd. ▼
FGM-02-20	14,27 (0.562)	3/8 ▼
FGM-02X-20	17,48 (0.688)	1/2 ▼

▼ Not Recommended

NOTE:

When the subplate is not used, a machined pad, as indicated by the shaded area on the subplate, must be provided for mounting. The pad must be flat within 0.0005 inch and smooth within 63 microinch. Mounting bolts, when provided by the customer, must be SAE grade 7 or better.

Special Features

Over Speed Control, -S10

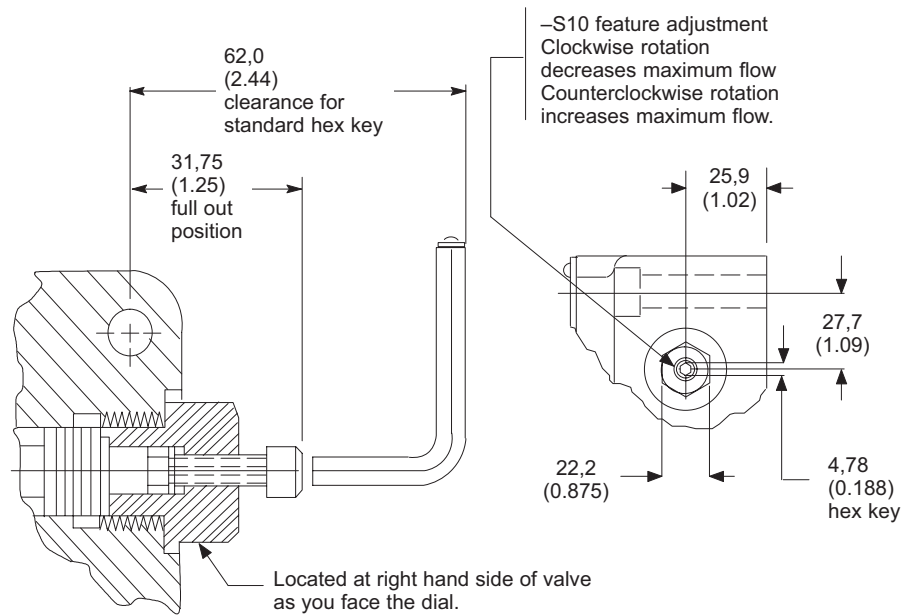
The flow control hydrostat under zero flow conditions is spring offset to its full open position. This permits an initial flow greater than the throttle setting, and may result in a momentary over speed at the start of the feed cycle.

If this condition causes a problem in your application, it can be greatly reduced with the over speed control option, -S10.

The -S10 features a screw which can be adjusted to limit the hydrostat opening to a point just above the maximum flow requirements of the system.

Adjust the hydrostat as follows:

1. Back out the adjusting screw and operate the system in the feed mode. Adjust the throttle setting to the desired flow rate.
2. Turn in the adjusting screw until the feed rate drops, then back out the adjusting screw just enough to restore the original feed rate. The screw will remain in this position.



Tamper Resistant Flow Adjustment, -S32

To adjust the flow, the valve must be removed from its mounting. Install the valve back on its mounting with the cover removed using four 5/16-18 x 3.25 long socket head screws (not supplied with valve, must be SAE grade 7 or better).

To obtain correct screws, order separately as follows:

- (1) BKFG-02-640 mounting bolt kit.

Loosen set screw in flange of throttle shaft and rotate shaft clockwise to increase flow or counterclockwise to decrease flow. When desired flow is set, tighten set screw in flange of throttle. Remove valve from mounting surface, replace cover and remount valve with the four 5/16-18 x 3.25 long screw provided with the valve.

