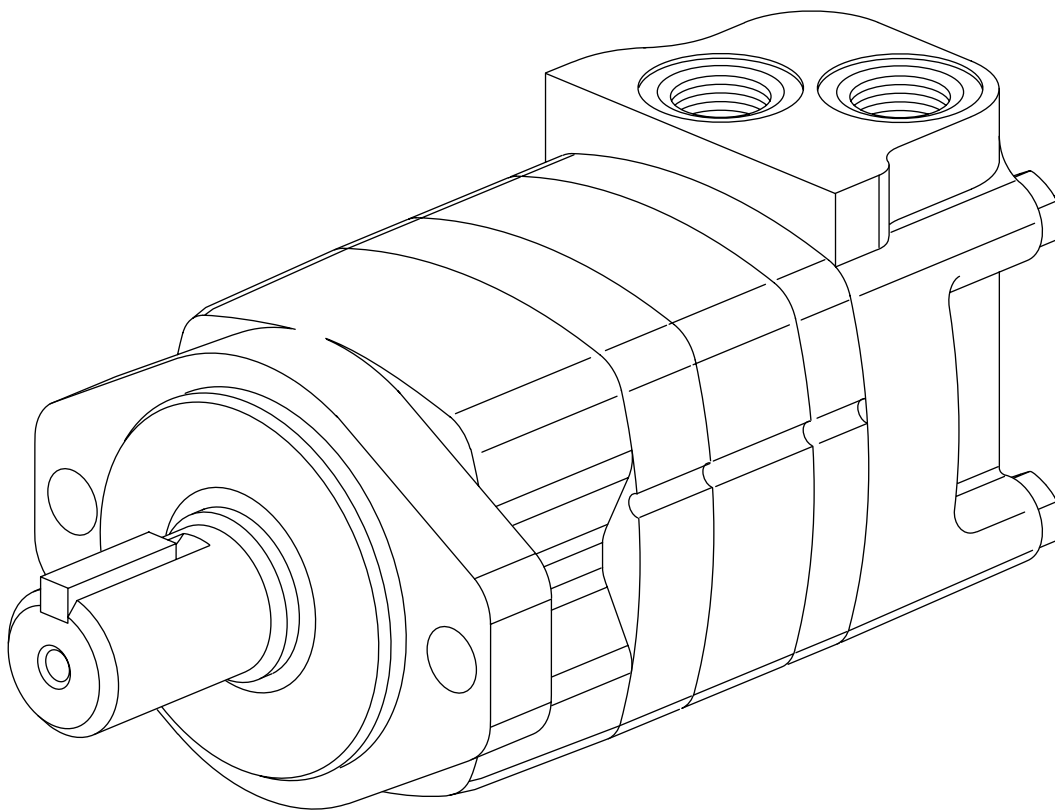




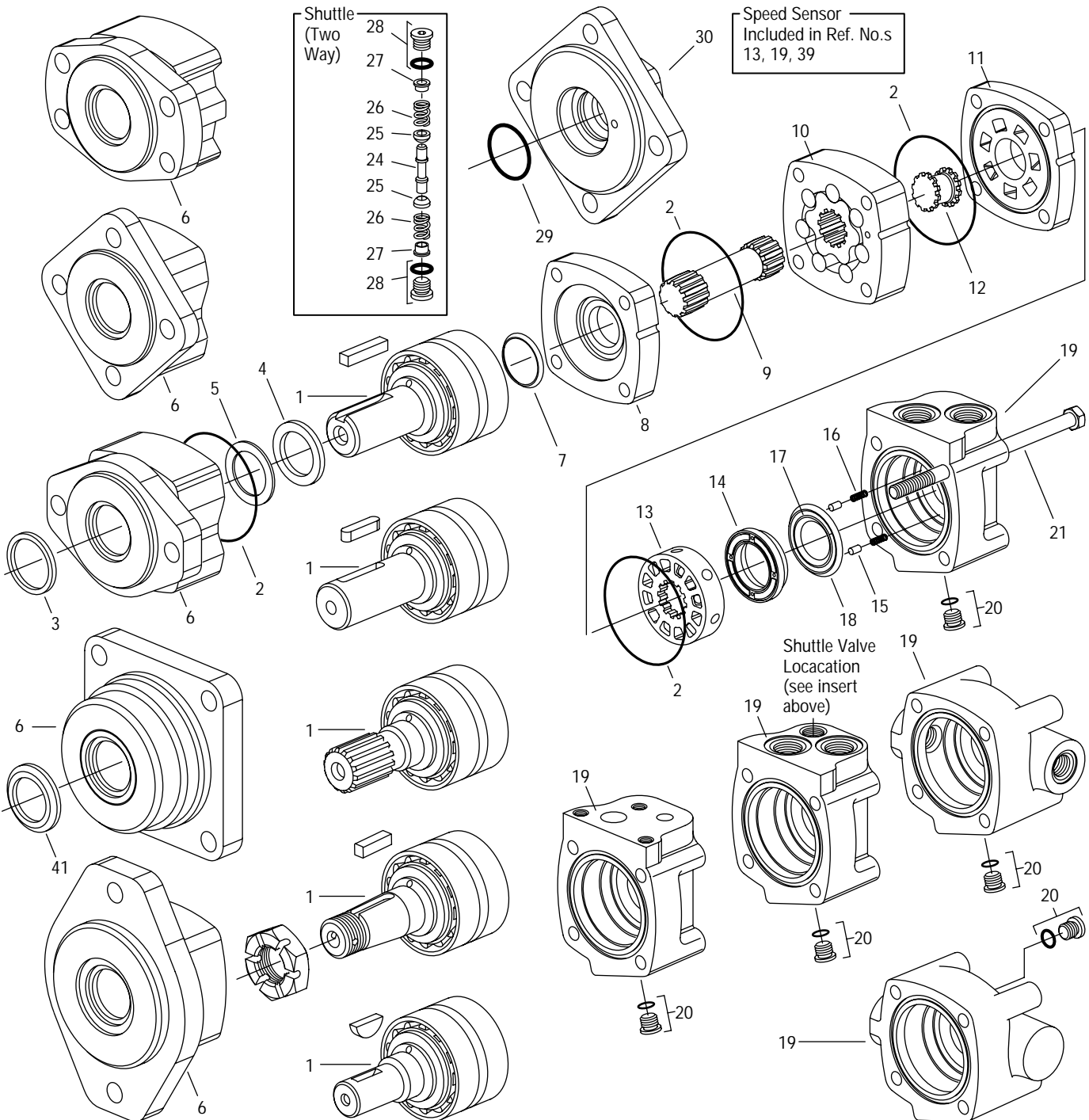
Parts Information



2000 Series
Geroler® Motors

006

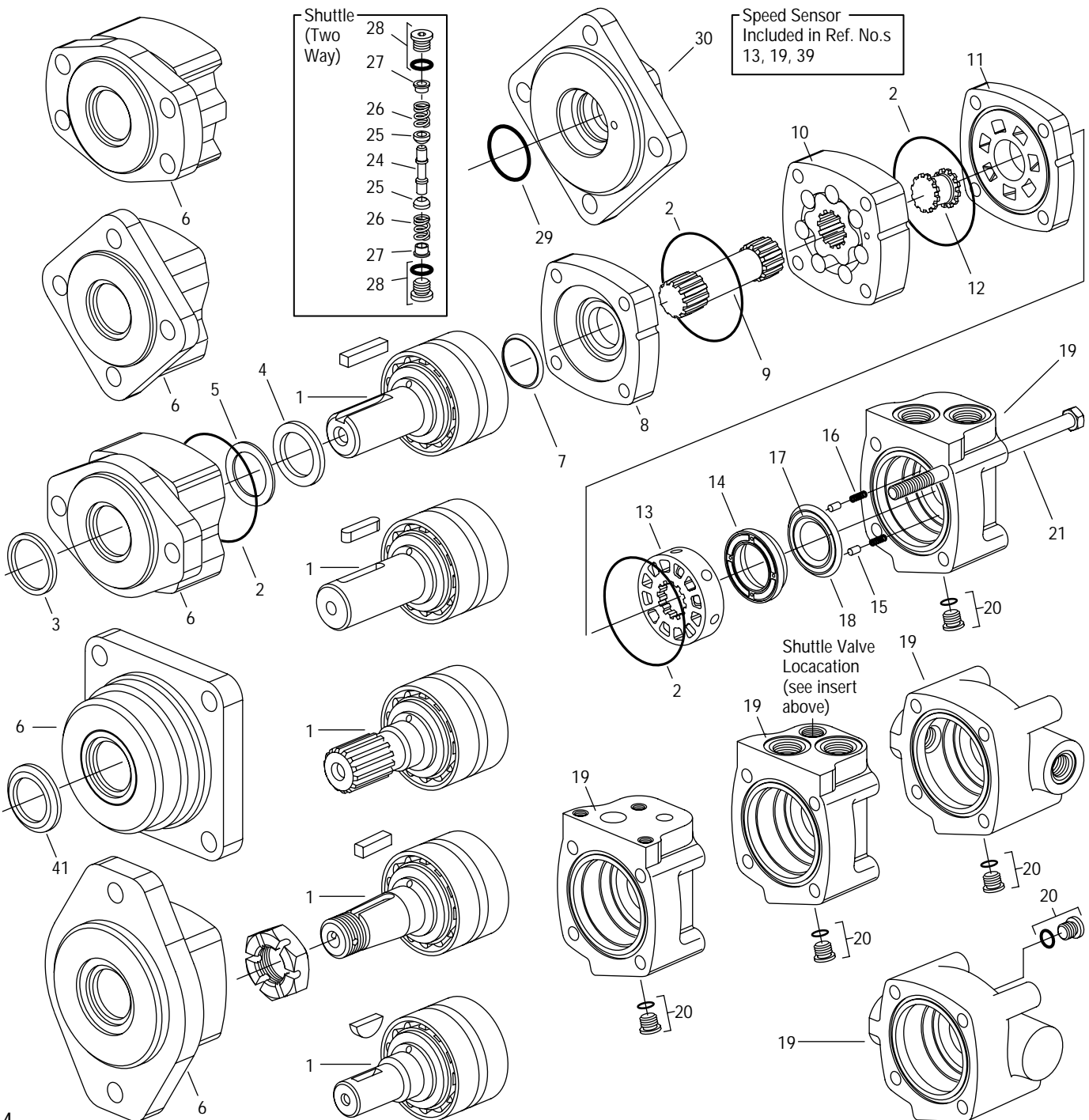
Displacement cm ³ /r [in ³ /r]	Drive, Main Item No. 9 —Part No./Length		Geroler® Item No. 10 —Part No./Width		Screw, Cap (Standard/Wheel) Item No. 21 —Part No./Length		Screw, Cap (Bearingless) Item No. 21 —Part No./Length	
	Part No.	mm [inch]	Part No.	mm [inch]	Part No.	mm [in.]	Part No.	mm [in.]
80 [4.9]	21371-009	76,2 [3.00]	21625-001	17,8 [.70]	14384-004	127,3 [5.01]	14384-001	108,2 [4.26]
100 [6.2]	21371-010	80,8 [3.18]	21625-002	22,5 [.88]	14384-006	135,4 [5.33]	14384-002	113,0 [4.45]
130 [8.0]	21371-004	87,2 [3.43]	21625-003	28,9 [1.14]	14384-007	138,4 [5.45]	14384-003	121,1 [4.77]
160 [9.6]	21371-004	87,2 [3.43]	21625-004	28,9 [1.14]	14384-007	138,4 [5.45]	14384-003	121,1 [4.77]
195 [11.9]	21371-005	94,0 [3.70]	21625-005	35,6 [1.40]	14384-008	144,8 [5.70]	14384-004	127,3 [5.01]
245 [14.9]	21371-006	103,1 [4.06]	21625-006	44,7 [1.76]	14384-010	154,9 [6.10]	14384-007	138,4 [5.45]
305 [18.7]	21371-007	114,4 [4.51]	21625-007	56,0 [2.21]	14384-012	164,5 [6.48]	14384-008	144,8 [5.70]
395 [24.0]	21371-008	130,4 [5.13]	21625-008	72,0 [2.83]	14384-014	182,4 [7.18]	14384-012	164,5 [6.48]
490 [29.8]	21371-012	147,9 [5.82]	21625-010	89,4 [3.52]	14384-019	199,6 [7.86]	14384-014	182,4 [7.18]



Item No.	Part Number	Description	Quantity per Unit		
			Std.	Whl.	Brgl.
1	21618-001	Shaft and Bearing Kit (1 inch Straight)	1	1	
	14193-000	Key (for 1 Straight Shaft)	1	1	
	21618-002	Shaft and Bearing Kit (1-1/4 inch Straight)	1	1	
	14392-008	Key (for 1-1/4 Straight Shaft)	1	1	
	21618-003	Shaft and Bearing Kit (1-1/4 in. Tapered)	1	1	
	21618-032	Shaft and Bearing Kit (1-1/4 in. Tapered — <i>Special shaft for Seal Guard</i>)			1
	14163-000	Nut, Hex (1-1/4 in. Tapered Shaft)	1	1	
	14392-006	Key (for 1-1/4 in. Tapered Shaft)	1	1	
	21618-004	Shaft and Bearing Kit (1-1/4 in. Splined 14T)	1	1	
	21618-005	Shaft and Bearing Kit (1 in. 6B Splined)	1	1	
	21618-007	Shaft and Bearing Kit (7/8 Splined 13T)	1	1	
	21618-023	Shaft and Bearing Kit (32 mm Straight)	1	1	
	14460-005	Key (for 32 mm Straight Shaft)	1	1	
	21618-026	Shaft and Bearing Kit (25 mm Straight)	1	1	
	14462-006	Key (for 25 mm Straight Shaft)	1	1	
O† 2	14559-006	Seal	4	4	3
† 3	9121-001	Seal, Exclusion	1	1	
† 4	9057-009	Seal, Shaft	1	1	
† 5	7382-000	Ring, Back-up	1	1	1
6	21578-004	Housing, Bearing, SAE A (Two Bolt)	1		
	21578-003	Housing, Bearing, Wheel Mount (Four Bolt)		1	
	21578-015	Housing, Bearing, Wheel Mount (Four Bolt) — <i>Compatible for HAYES Brake</i>		1	
	21578-001	Housing, Bearing, SAE B (Two Bolt)	1		
	21578-005	Housing, Bearing, Diagonal (Four Bolt)	1		
	21578-008	Housing, Bearing, Magneto (Four Bolt)	1		
21578-016	Housing, Bearing, Wheel Mount (Four Bolt) — <i>with Seal Guard Groove</i>		1		
† 7	9050-000	Seal, Shaft Face	1	1	
8	22102-000	Plate, Wear	1	1	
9	*	Drive, Main	1	1	1
10	*	Geroler®	1	1	1
11	22134-000	Plate, Valve	1	1	1
12	8433-000	Drive, Valve	1	1	1
13	21466-000	Valve	1	1	1
	201307-002	Valve — <i>Speed Sensor Valve</i>	1	1	1
14	8915-000	Balance Ring	1	1	1
15	14351-000	Pin, Balance Ring	2	2	2
16	7383-000	Spring, Compression	2	2	2
O† 17	9049-001	Seal, Face, Inner	1	1	1
O† 18	9135-002	Seal, Face, Outer	1	1	1
19	21564-001	Housing, Valve (7/8-14 Str. Thrd. O-ring Ports — 7/16-20 Case Drain Port)	1	1	1
	21564-012	Housing, Valve (7/8-14 Str. Thrd. O-ring Ports — 7/16-20 Case Drain Port) — <i>Speed Sensor Housing</i>	1	1	1
	21564-002	Housing, Valve (1 - 1/16-12 180° Apart — 7/16-20 Case Drain Port)	1	1	1
	21564-016	Housing, Valve (1 - 1/16-12 180° Apart — 7/16-20 Case Drain Port) — <i>Speed Sensor Housing</i>	1	1	1
	21564-007	Housing, Valve (G 1/2 (BSP) Ports — G 1/4 (BSP) Case Drain Port)	1	1	1
	21564-015	Housing, Valve (G 1/2 (BSP) Ports — G 1/4 (BSP) Case Drain Port) — <i>Speed Sensor Housing</i>	1	1	1
	21564-010	Housing, Valve (7/8-14 Str. Thrd. O-ring Ports — 7/16-20 Case Drain Port) — <i>Shuttle Valve Housing</i>	1	1	1
	21564-004	Housing, Valve (Manifold Mount — 7/16-20 Case Drain Port)	1	1	1
	21564-008	Housing, Valve (Manifold Mount — G 1/4 (BSP) Case Drain Port)	1	1	1
	21564-006	Housing, Valve (7/8-14 Str. Thrd. O-ring End Ports — 7/16-20 Case Drain Port)	1	1	1

Continued on Page 5

Displacement cm ³ /r [in ³ /r]	Drive, Main Item No. 9 —Part No./Length		Geroler® Item No. 10 —Part No./Width		Screw, Cap (Standard/Wheel) Item No. 21 —Part No./Length		Screw, Cap (Bearingless) Item No. 21 —Part No./Length	
	Part No.	mm [inch]	Part No.	mm [inch]	Part No.	mm [in.]	Part No.	mm [in.]
80 [4.9]	21371-009	76,2 [3.00]	21625-001	17,8 [.70]	14384-004	127,3 [5.01]	14384-001	108,2 [4.26]
100 [6.2]	21371-010	80,8 [3.18]	21625-002	22,5 [.88]	14384-006	135,4 [5.33]	14384-002	113,0 [4.45]
130 [8.0]	21371-004	87,2 [3.43]	21625-003	28,9 [1.14]	14384-007	138,4 [5.45]	14384-003	121,1 [4.77]
160 [9.6]	21371-004	87,2 [3.43]	21625-004	28,9 [1.14]	14384-007	138,4 [5.45]	14384-003	121,1 [4.77]
195 [11.9]	21371-005	94,0 [3.70]	21625-005	35,6 [1.40]	14384-008	144,8 [5.70]	14384-004	127,3 [5.01]
245 [14.9]	21371-006	103,1 [4.06]	21625-006	44,7 [1.76]	14384-010	154,9 [6.10]	14384-007	138,4 [5.45]
305 [18.7]	21371-007	114,4 [4.51]	21625-007	56,0 [2.21]	14384-012	164,5 [6.48]	14384-008	144,8 [5.70]
395 [24.0]	21371-008	130,4 [5.13]	21625-008	72,0 [2.83]	14384-014	182,4 [7.18]	14384-012	164,5 [6.48]
490 [29.8]	21371-012	147,9 [5.82]	21625-010	89,4 [3.52]	14384-019	199,6 [7.86]	14384-014	182,4 [7.18]



Continued from Page 3

Item No.	Part Number	Description	Quantity per Unit		
			Std.	Whl.	Brgl.
20	9072-003	Plug Assembly (7/16-20 Case Drain Plug)	1	1	1
O†	250003-904	O-ring	1	1	1
	9170-002	Plug Assembly (G 1/4 (BSP) Case Drain Plug)	1	1	1
O†	250003-904	O-ring	1	1	1
21	*	Screw, Cap	4	4	4
24	8566-000	Piston Shuttle	1	1	1
25	8567-000	Poppet	2	2	2
26	230079-000	Spring	2	2	2
27	8755-000	Sleeve, Dash Pot	2	2	2
28	9072-005	Plug Assembly (9/16-18 Shuttle Valve End)	2	2	2
	250003-906	O-ring	2	2	2
O 29	15127-000	Seal			1
30	21569-000	Seal, Flange, Mounting			1
39	201137-001	Sensor, Speed — 127mm [5.0 in.] Lead Wire		1	
41	14628-002	Guard, Seal		1	
	61258-000	Seal Kit (Std. and Whl. Motors)—Contains Parts Indicated by †			
	61259-000	Seal Kit (Bearingless Motor Only)—Contains Parts Indicated by O			
	61263-000	Seal Kit, Viton* * (Std. and Whl. Motors)—Contains Parts Indicated by †			
	61261-000	Seal Kit, Viton* * (Bearingless Motor Only)—Contains Parts Indicated by O			
	61289-000	Seal Kit, Wheel Motor with Seal Guard—Contains Parts Indicated by † and Seal Guard (Item No. 41)			

Viton® is a Registered Trade Name of Dupont Corporation.

*—See Chart on Opposite Page.

* *—Viton Seal Part Numbers Differ from Part Numbers Shown above. Note: Backup Ring Item 5 is not used with Viton Shaft Seal Item 4.

Product Numbers—2000 Series Use digit prefix —104-, 105-, or 106- plus four digit number from charts for complete product number—Example 106-1043.

Mounting	Shaft	Ports	Displacement cm ³ /r [in ³ /r] and Product Number								
			80 [4.9]	100 [6.2]	130 [8.0]	160 [9.6]	195 [11.9]	245 [14.9]	305 [18.7]	395 [24.0]	490 [29.8]
2 Bolt SAE A Flange	1 inch Straight	7/8-14 O-ring Staggered	104-1001	-1002	-1003	-1004	-1005	-1006	-1007	-1143	—
		1-1/16—12 O-ring 180° Apart	104-1037	-1038	-1039	-1040	-1041	-1042	-1043	-1044	—
	1-1/4 Inch Straight	7/8-14 O-ring Staggered	104-1022	-1023	-1024	-1025	-1026	-1027	-1028	-1228	-1420
		1-1/16—12 O-ring 180° Apart	104-1061	-1062	-1063	-1064	-1065	-1066	-1067	-1068	-1421
	1-1/4 Inch 14 T Splined	7/8-14 O-ring Staggered	104-1029	-1030	-1031	-1032	-1033	-1034	-1035	-1229	-1422
		1-1/16—12 O-ring 180° Apart	104-1087	-1088	-1089	-1090	-1091	-1092	-1093	-1094	-1423
2 Bolt SAE B Flange	1-1/4 Inch Straight	7/8-14 O-ring Staggered	104-1200	-1201	-1202	-1203	-1204	-1205	-1206	-1207	—
	1-1/4 Inch 14 T Splined	7/8-14 O-ring Staggered	104-1208	-1209	-1210	-1211	-1212	-1213	-1214	-1215	—
	1 Inch SAE 6B Splined	7/8-14 O-ring Staggered	104-1193	-1194	-1195	-1196	-1197	-1198	-1199	—	—
	7/8 Inch SAE B Splined	7/8-14 O-ring Staggered	104-1216	-1217	-1218	-1219	-1220	-1455	—	—	—
Standard with 4 Bolt Square Flange	32 mm Straight	G 1/2 (BSP)	104-1384	-1385	-1386	-1387	-1388	-1389	-1390	-1391	-1546
	1-1/4 Inch 14 T Splined	G 1/2 (BSP)	104-1376	-1377	-1378	-1379	-1380	-1381	-1382	-1383	-1660
Wheel Motor	1-1/4 Inch Straight	7/8-14 O-ring Staggered	105-1022	1023	1024	1025	1026	1027	1028	1063	-1148
		1-1/16—12 O-ring 180° Apart	105-1052	1053	1054	1055	1056	1057	1058	1059	-1149
	32 mm Straight	G 1/2 (BSP)	105-1134	-1135	-1136	-1137	-1138	-1139	-1140	-1141	1177
	1-1/4 Inch Tapered	7/8-14 O-ring Staggered	105-1001	-1002	-1003	-1004	-1005	-1006	-1007	-1060	-1152
		1-1/16—12 O-ring 180° Apart	105-1071	-1072	-1073	-1074	-1075	-1076	-1077	-1078	—
	1-1/4 Inch 14 T Splined	7/8-14 O-ring Staggered	105-1029	-1030	-1031	-1032	-1033	-1034	-1035	-1096	—
		1-1/16—12 O-ring 180° Apart	105-1079	-1080	-1081	-1082	-1083	-1084	-1085	-1086	—
	Bearingless		7/8-14 O-ring Staggered	106-1008	-1009	-1010	-1011	-1012	-1013	-1014	-1015
		G 1/2 (BSP)	106-1038	-1039	-1040	-1041	-1042	-1043	-1044	-1045	1063

106-1043

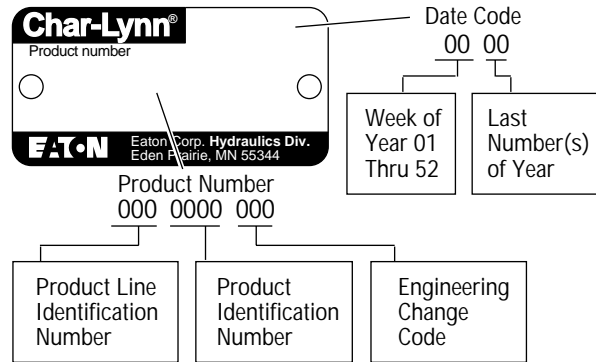
For Additional Literature Contact Eaton Corp. Hydraulics Division 15151 Highway 5 Eden Prairie, MN 55344.

- Specifications and performance data, Catalog No. 11-878.
- When servicing 2000 Series Motors refer to Repair Information No. 7-124. This repair manual lists tools required, and step by step disassembly and reassembly procedures.

How to Order Replacement Parts

Each Order Must Include the Following:

- | | |
|-------------------|----------------------|
| 1. Product Number | 4. Part Number |
| 2. Date Code | 5. Quantity of Parts |
| 3. Part Name | |



Eaton Corporation
Hydraulics Division
15151 Hwy. 5
Eden Prairie, MN 55344
Telephone: 612/937-7254
Fax: 612/937-7130

Eaton Ltd.
Hydraulics Division
Glenrothes, Fife
Scotland, KY7 4NW
Telephone: [+44] (0)1592-771-771
Fax: [+44] (0)1592-773-184

Eaton B.V.
Boeing Avenue 11
1119 PC Schiphol-Rijk
The Netherlands
Telephone: [+31] (0)20-655 6776
Fax: [+31] (0)20-655 6800

Sumitomo Eaton Hydraulic Co.
8 Temasek Blvd.
42-01 Suntec Tower Three
Singapore 03988
Telephone: [+65] 832-7727
Fax: [+65] 832-7733

Sumitomo Eaton
Hydraulic Company Ltd.
Ooi-Cho Kameoka-Shi
621-0017 Kyoto
Japan
Telephone: [+81] 771-22-9601
Fax: [+81] 771-29-2020

Eaton Ltd.
7th Floor, Woo Duk Building
832-2 Yeoksam-Dong, Kangnam-Ku
Soeul 135-750
Korea
Telephone: [+82] 2-557-0595
Fax: [+82] 2-557-1634

Eaton Hydraulics (Shanghai) Co. Ltd.
388 Aidu Road, Waigaogiao FTZ
Pudong New Area
Shanghai 200137
Peoples Republic of China
Telephone: [+86] 21-5046 0758
Fax: [+86] 21-5046 0767

Jining Eaton Hydraulic Co. Ltd.
6 Ji Da Road
Jining City
Shandong Province 272131
Peoples Republic of China
Telephone: [+86] 537-2221288
Fax: [+86] 537-2221557



Quality System Certified
Products in this catalog are manufactured
in an ISO-9001-certified site.